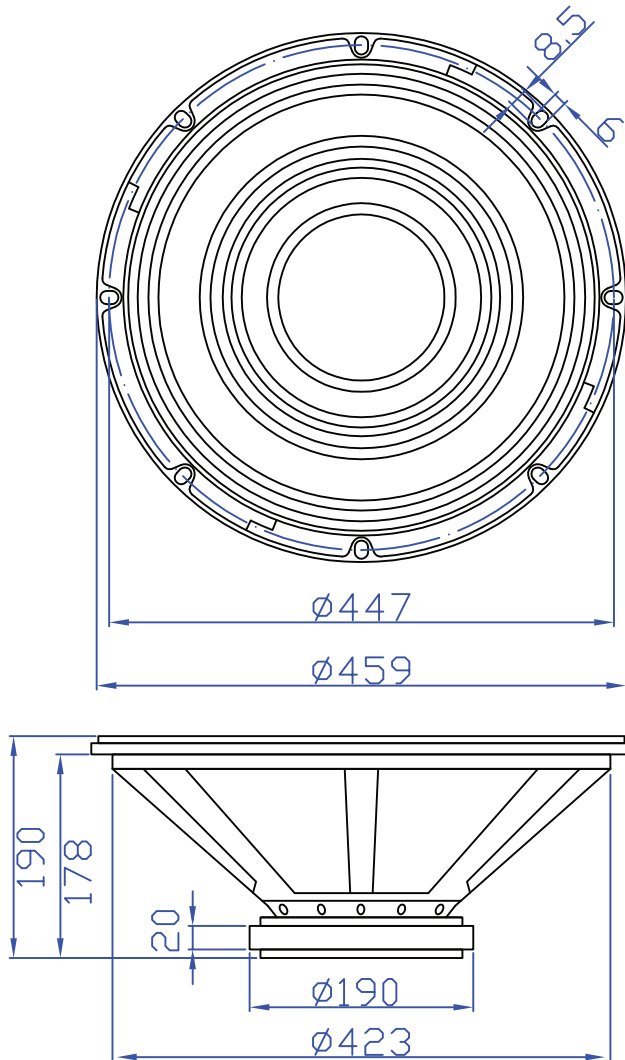




# 18PT-8 18" Professional Woofer

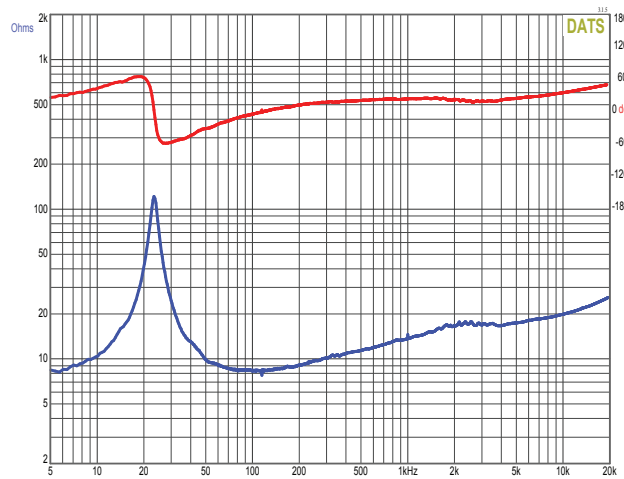
## MECHANICAL DRAWING



## FEATURES

- Lightweight ribbed paper cone allows high efficiency with minimal resonance
- 3" diameter voice coil on heat resistant Kapton former handles up to 350 watts RMS
- Great displacement capability is ideal for high output subwoofer designs
- Extensive venting keeps cool air flowing across the voice coil to minimize power compression
- Inductance lowering copper cap reduces distortion and extends high frequency response
- Spring-loaded push-button terminals makes wire connections quick and easy
- Foam front gasket ensures an airtight seal for rear mount installations

## IMPEDANCE/PHASE

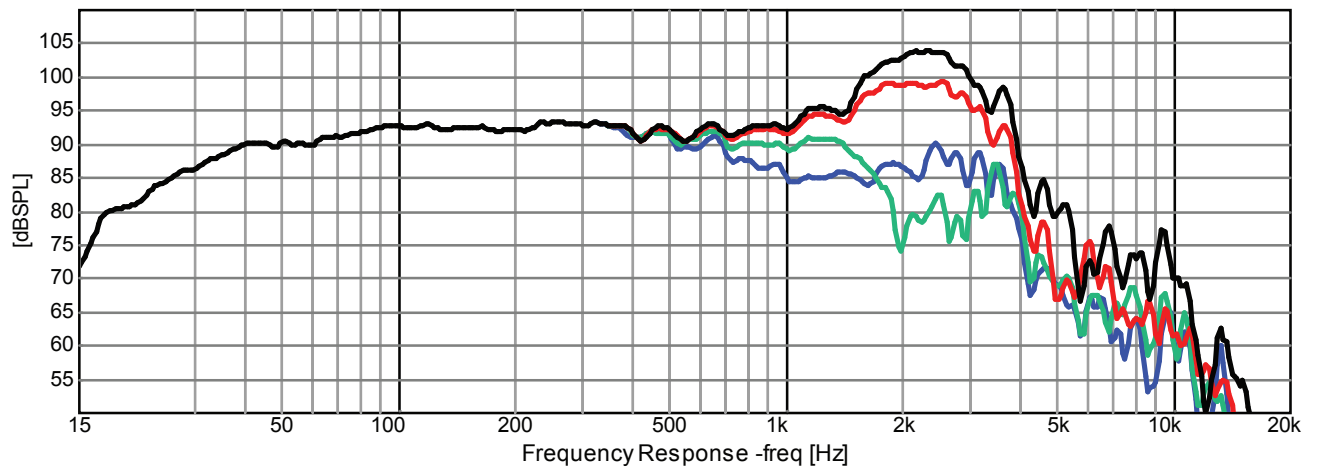


## PARAMETERS

Impedance	8 ohms
Re	6.9 ohms
Le	1.9 mH
Fs	23 Hz
Qms	9.59
Qes	0.58
Qts	0.54
Mms	218 g
Cms	0.22 mm/N
Sd	1234.0 cm <sup>2</sup>
Vd	963.0 cm <sup>3</sup>
BL	19.5 Tm
Vas	467 liters
Xmax	7.8 mm*
Top Plate Height	7 mm
Voice Coil Length	16 mm
VC Diameter	76.5 mm
SPL	93 @ 2.83V/1m
RMS Power Handling (AES 426B)	350 watts
Usable Frequency Range (Hz)	25 - 4,000 Hz

$$* X_{max} = \left[ \frac{\text{Voice Coil Length} - \text{Top Plate Height}}{2} \right] + 1/3 \text{ Top Plate Height}$$

## FREQUENCY RESPONSE



OmniMic

Note: 1/24<sup>th</sup> octave smoothing - nearfield response included in graph below 450 Hz.